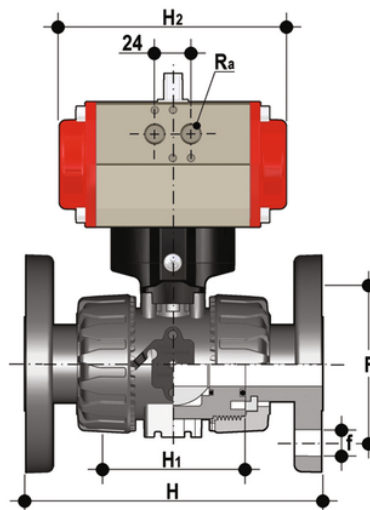


VKDOM/CP NC - pneumatically actuated DUAL BLOCK® 2-way ball valve

Pneumatically actuated DUAL BLOCK® ball valve with DIN 2501 - EN 1092 fixed flanges, face to face according to EN 558-1, Normally Closed.



EPDM

Κωδικός Προϊόντος	tooltiplmage
VKDOMNC020E	-
VKDOMNC025E	-
VKDOMNC032E	-
VKDOMNC040E	-
VKDOMNC050E	-
VKDOMNC063E	-

FKM

Κωδικός Προϊόντος	tooltiplmage
VKDOMNC020F	-
VKDOMNC025F	-
VKDOMNC032F	-
VKDOMNC040F	-
VKDOMNC050F	-
VKDOMNC063F	-