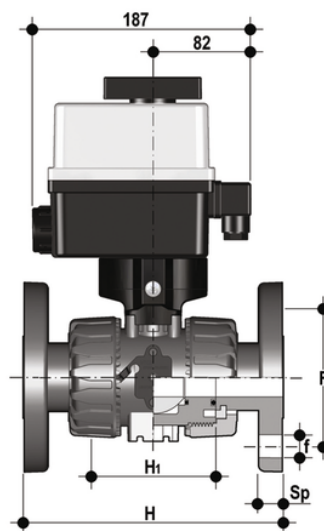


# VKDOM/CE 90-240 V AC - electrically actuated DUAL BLOCK® 2-way ball valve

Electrically actuated DUAL BLOCK® ball valve with DIN 2501 - EN 1092 fixed flanges, face to face according to EN 558-1 and electric actuator multivolt 90-240 V AC 50-60 Hz.



## EPDM

### Κωδικός Προϊόντος

VKDOMEM020E

VKDOMEM025E

VKDOMEM032E

VKDOMEM040E

VKDOMEM050E

VKDOMEM063E

## FKM

### Κωδικός Προϊόντος

VKDOMEM020F

VKDOMEM025F

VKDOMEM032F

VKDOMEM040F

VKDOMEM050F

VKDOMEM063F