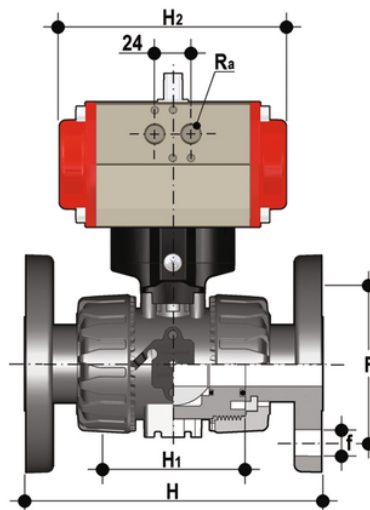
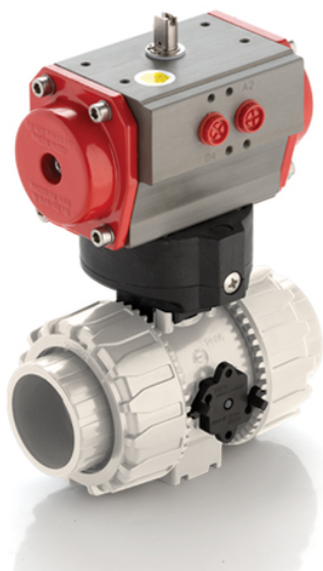


VKDOM/CP NO - pneumatically actuated DUAL BLOCK® 2-way ball valve

Pneumatically actuated DUAL BLOCK® ball valve with DIN 2501 - EN 1092 fixed flanges, face to face according to EN 558-1, Normally Open.



EPDM

| Κωδικός Προϊόντος | tooltiplmage |
|-------------------|--------------|
| VKDOMNO020E | - |
| VKDOMNO025E | - |
| VKDOMNO032E | - |
| VKDOMNO040E | - |
| VKDOMNO050E | - |
| VKDOMNO063E | - |

FKM

| Κωδικός Προϊόντος | tooltiplmage |
|-------------------|--------------|
| VKDOMNO020F | - |
| VKDOMNO025F | - |
| VKDOMNO032F | - |
| VKDOMNO040F | - |
| VKDOMNO050F | - |
| VKDOMNO063F | - |