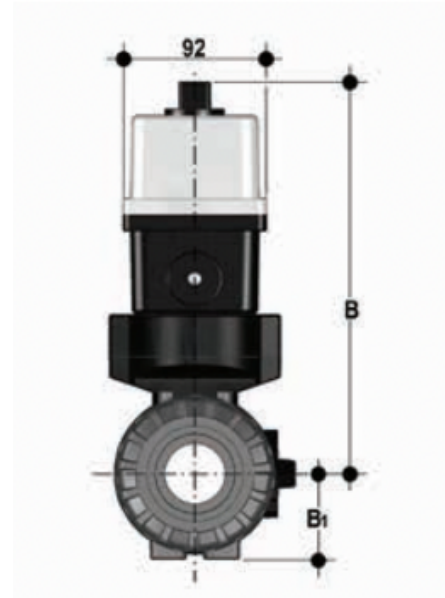
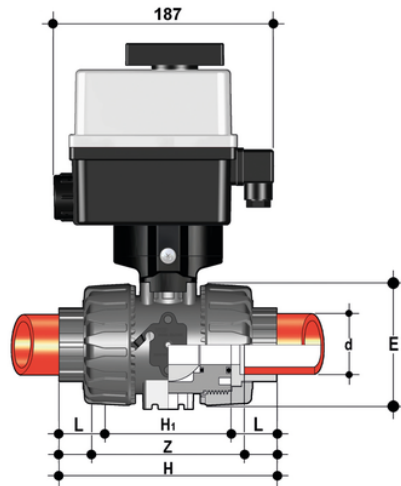


# VKRIM/CE 90-240 V AC 4-20 mA - electrically actuated DUAL BLOCK® regulating ball valve

Electrically actuated DUAL BLOCK® regulating ball valve with metric plain socket ends for socket welding and modulating electric actuator multivolt 90-240 V AC 50-60 Hz.



## EPDM

Κωδικός Προϊόντος	tooltiplmage
VKRIMEM016E0E	-
VKRIMEM020E0E	-
VKRIMEM025E0E	-
VKRIMEM032E0E	-
VKRIMEM040E0E	-
VKRIMEM050E0E	-
VKRIMEM063E0E	-

## FKM

Κωδικός Προϊόντος	tooltiplmage
VKRIMEM016F0E	-
VKRIMEM020F0E	-
VKRIMEM025F0E	-
VKRIMEM032F0E	-
VKRIMEM040F0E	-
VKRIMEM050F0E	-



# VKRIM/CE 90-240 V AC 4-20 mA - electrically actuated DUAL BLOCK® regulating ball valve

Κωδικός Προϊόντος	tooltipImage
VKRIMEM063F0E	-