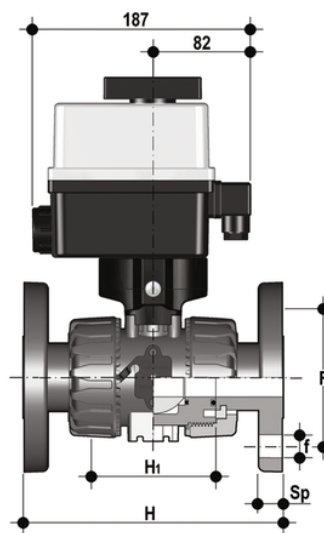


VKDOM/CE 24 V AC/DC - electrically actuated DUAL BLOCK® 2-way ball valve

Electrically actuated DUAL BLOCK® ball valve with DIN 2501 - EN 1092 fixed flanges, face to face according to EN 558-1 and electric actuator 24 V AC/DC.



EPDM

Κωδικός Προϊόντος	tooltiplmage
VKDOMEL020E	-
VKDOMEL025E	-
VKDOMEL032E	-
VKDOMEL040E	-
VKDOMEL050E	-
VKDOMEL063E	-

FKM

Κωδικός Προϊόντος	tooltiplmage
VKDOMEL020F	-
VKDOMEL025F	-
VKDOMEL032F	-
VKDOMEL040F	-
VKDOMEL050F	-
VKDOMEL063F	-