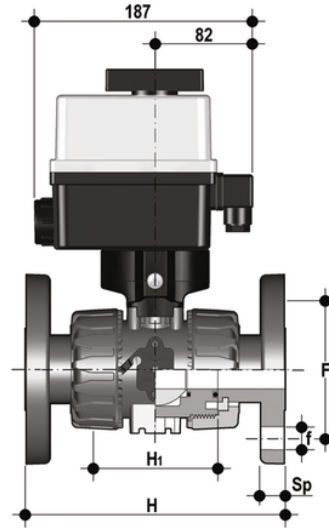


# VKDOAM/CE 90-240 V AC – electrically actuated DUAL BLOCK® 2-way ball valve

Electrically actuated DUAL BLOCK® ball valve with ANSI B16.5 cl.150#FF fixed flanges and electric actuator multivolt 90-240 V AC 50-60 Hz.



## EPDM

### Κωδικός προϊόντος

VKDOAMEM012E

VKDOAMEM034E

VKDOAMEM100E

VKDOAMEM114E

VKDOAMEM112E

VKDOAMEM200E

## FKM

### Κωδικός προϊόντος

VKDOAMEM012F

VKDOAMEM034F

VKDOAMEM100F

VKDOAMEM114F

VKDOAMEM112F

VKDOAMEM200F