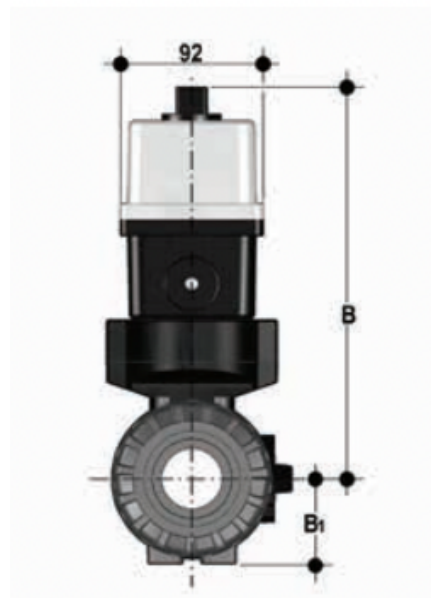
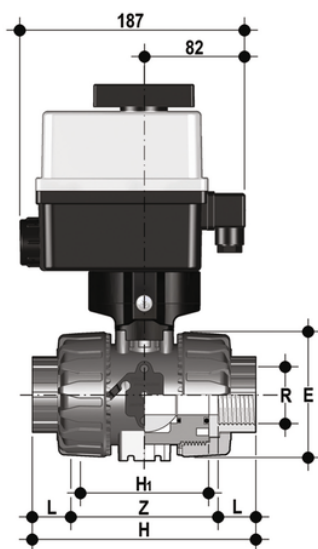


VKRFM/CE 90-240 V AC 4-20 mA - electrically actuated DUAL BLOCK® regulating ball valve

Electrically actuated DUAL BLOCK® regulating ball valve with BS parallel socket threaded ends and modulating electric actuator multivolt 90-240 V AC 50-60 Hz.



EPDM

Κωδικός Προϊόντος	tooltiplmage
VKRFMEM012E0E	-
VKRFMEM034E0E	-
VKRFMEM100E0E	-
VKRFMEM114E0E	-
VKRFMEM112E0E	-
VKRFMEM200E0E	-

FKM

Κωδικός Προϊόντος	tooltiplmage
VKRFMEM012F0E	-
VKRFMEM034F0E	-
VKRFMEM100F0E	-
VKRFMEM114F0E	-
VKRFMEM112F0E	-
VKRFMEM200F0E	-