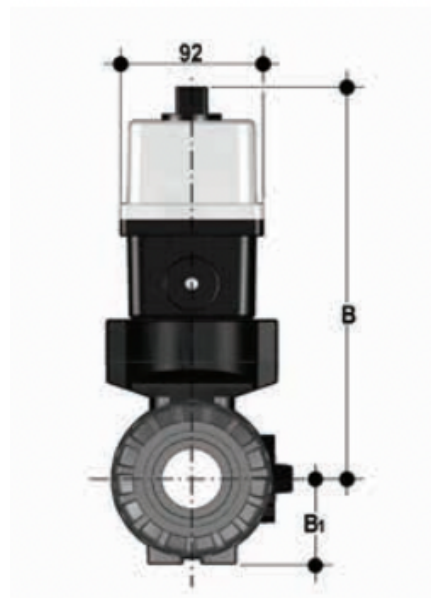
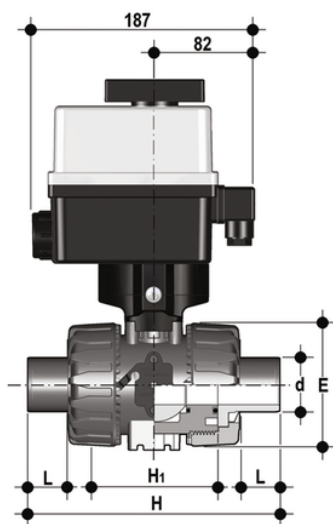


# VKRDM/CE 90-240 V AC 4-20 mA - electrically actuated DUAL BLOCK® regulating ball valve

Electrically actuated DUAL BLOCK® regulating ball valve with metric plain spigot ends for socket welding and modulating electric actuator multivolt 90-240 V AC 50-60 Hz.



## VKRDM/CE 90-240 V AC 4-20 mA - electrically actuated DUAL BLOCK® regulating ball valve

Κωδικός Προϊόντος	tooltiplmage
VKRDMEM020E0E	-
VKRDMEM025E0E	-
VKRDMEM032E0E	-
VKRDMEM040E0E	-
VKRDMEM050E0E	-
VKRDMEM063E0E	-

## EPDM

Κωδικός Προϊόντος	tooltiplmage
VKRDMEM020F0E	-
VKRDMEM025F0E	-
VKRDMEM032F0E	-
VKRDMEM040F0E	-
VKRDMEM050F0E	-
VKRDMEM063F0E	-