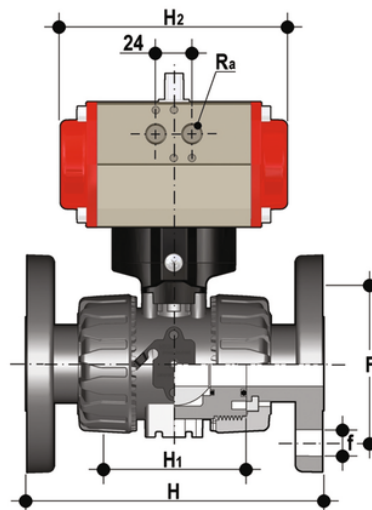


VKDOAV/CP NO – pneumatically actuated DUAL BLOCK® 2-way ball valve

Pneumatically actuated DUAL BLOCK® ball valve with ANSI B16.5 cl.150#FF fixed flanges, Normally Open.



EPDM

Κωδικός Προϊόντος

VKDOAVNO012E

VKDOAVNO034E

VKDOAVNO100E

VKDOAVNO114E

VKDOAVNO112E

VKDOAVNO200E

FKM

Κωδικός Προϊόντος

VKDOAVNO012F

VKDOAVNO034F

VKDOAVNO100F

VKDOAVNO114F

VKDOAVNO112F

VKDOAVNO200F