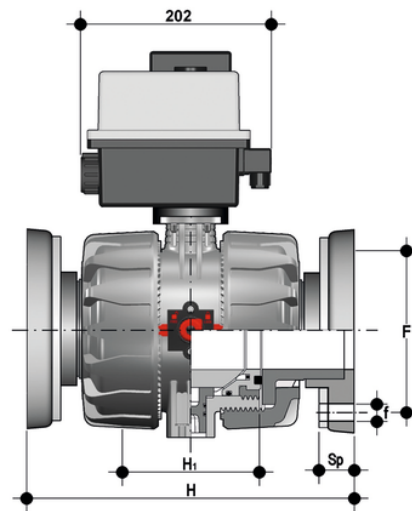


VKDOM/CE 90-240 V AC - electrically actuated DUAL BLOCK® 2-way ball valve

VKDOM: Electrically actuated DUAL BLOCK® ball valve with DIN 2501 - EN 1092 fixed flanges*, face to face according to EN 558-1 and electric actuator multivolt 90-240 V AC 50-60 Hz.

VKDOAM: Electrically actuated DUAL BLOCK® ball valve with ANSI B.16.5 cl.150 #FF fixed flanges* and electric actuator multivolt 90-240 V AC 50-60 Hz.



EPDM

Κωδικός Προϊόντος

VKDOMEM075E

VKDOMEM090E

VKDOMEM110E

FKM

Κωδικός Προϊόντος

VKDOMEM075F

VKDOMEM090F

VKDOMEM110F