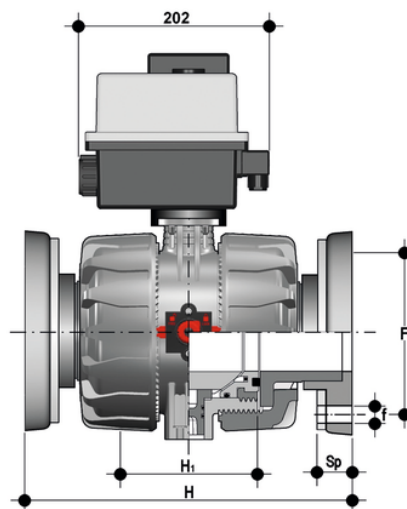


# VKDOM/CE 24 V AC/DC - electrically actuated DUAL BLOCK® 2-way ball valve

VKDOM: Electrically actuated DUAL BLOCK® ball valve with DIN 2501 - EN 1092 fixed flanges\*, face to face according to EN 558-1 and electric actuator 24 V AC/DC

VKDOAM: Electrically actuated DUAL BLOCK® ball valve with ANSI B.16.5 cl.150 #FF fixed flanges\* and electric actuator 24 V AC/DC\*



## EPDM

Κωδικός Προϊόντος	tooltiplmage
VKDOMEL075E	-
VKDOMEL090E	-
VKDOMEL110E	-

## FKM

Κωδικός Προϊόντος	tooltiplmage
VKDOMEL075F	-
VKDOMEL090F	-
VKDOMEL110F	-