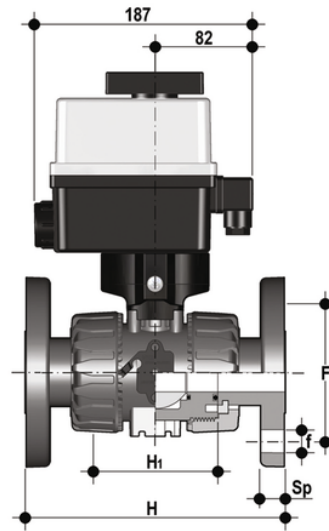


VKDOV/CE 90-240 V AC - electrically actuated DUAL BLOCK® 2-way ball valve

DUAL BLOCK® Ball Valve with fixed flanges EN/ISO/DIN PN 10/16, face to face dimensions as per EN 558-1 with multi-volt electric actuator 90-240 V AC 50-60 Hz.



EPDM

Κωδικός Προϊόντος

VKDOVEM020E

VKDOVEM025E

VKDOVEM032E

VKDOVEM040E

VKDOVEM050E

VKDOVEM063E

FKM

Κωδικός Προϊόντος

VKDOVEM020F

VKDOVEM025F

VKDOVEM032F

VKDOVEM040F

VKDOVEM050F

VKDOVEM063F