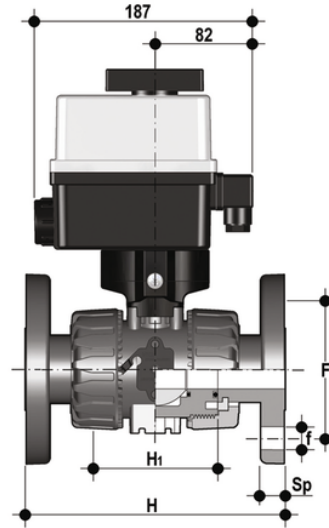


VKDOV/CE 24 V AC/DC – electrically actuated DUAL BLOCK® 2-way ball valve

DUAL BLOCK® Ball Valve with fixed flanges EN/ISO/DIN PN 10/16, face to face dimensions as per EN 558-1 with electric actuator 24 V AC/DC.



EPDM

Κωδικός Προϊόντος

VKDOVEL020E

VKDOVEL025E

VKDOVEL032E

VKDOVEL040E

VKDOVEL050E

VKDOVEL063E

FKM

Κωδικός Προϊόντος

VKDOVEL020F

VKDOVEL025F

VKDOVEL032F

VKDOVEL040F

VKDOVEL050F

VKDOVEL063F