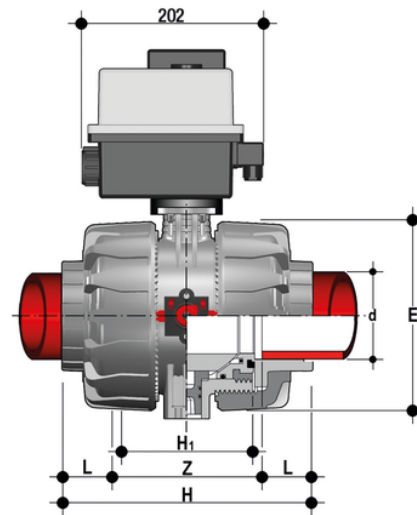


VKDIF/CE 90-240 V AC - electrically actuated DUAL BLOCK® 2-way ball valve

Electrically actuated DUAL BLOCK® ball valve with metric plain socket ends for socket welding and electric actuator multivolt 90-240 V AC 50-60 Hz.



Κωδικός προϊόντος

VKDIFEM075F

VKDIFEM090F

VKDIFEM110F