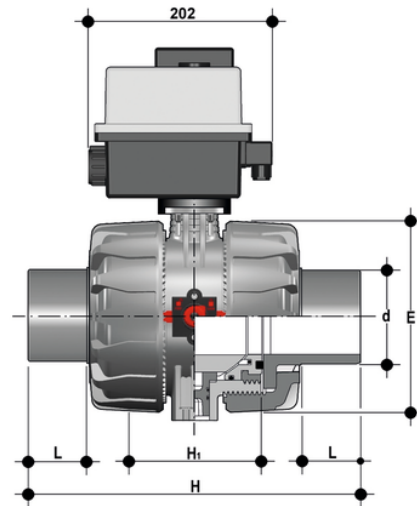


VKDDF/CE 90-240 V AC - electrically actuated DUAL BLOCK® 2-way ball valve

Electrically actuated DUAL BLOCK® ball valve with metric plain spigot ends for socket welding and electric actuator multivolt 90-240 V AC 50-60 Hz.



Κωδικός προϊόντος	tooltiplmage
VKDDFEM075F	-
VKDDFEM090F	-
VKDDFEM110F	-