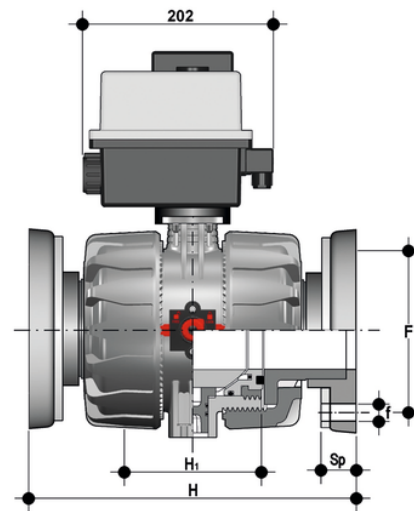


VKDOF/CE 90-240 V AC - electrically actuated DUAL BLOCK® 2-way ball valve

VKDOF: Electrically actuated DUAL BLOCK® ball valve with DIN 2501 - EN 1092 fixed flanges, face to face according to EN 558-1 and electric actuator multivolt 90-240 V AC 50-60 Hz.

VKDOAF: Electrically actuated DUAL BLOCK® ball valve with ANSI B.16.5 cl.150 #FF fixed flanges* and electric actuator multivolt 90-240 V AC 50-60 Hz.



Κωδικός προϊόντος	tooltiplmage
VKDOFEM075F	-
VKDOFEM090F	-
VKDOFEM110F	-