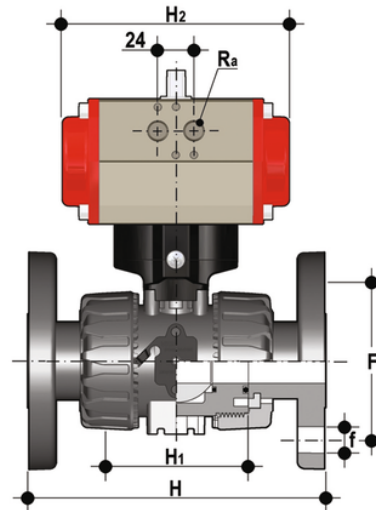


VKDOV/CP NC – pneumatically actuated DUAL BLOCK® 2-way ball valve

Pneumatically actuated DUAL BLOCK® ball valve with DIN 2501 - EN 1092 fixed flanges face to face according to EN 558-1, Normally Closed



EPDM

Κωδικός Προϊόντος	tooltiplmage
VKDOVNC020E	-
VKDOVNC025E	-
VKDOVNC032E	-
VKDOVNC040E	-
VKDOVNC050E	-
VKDOVNC063E	-

FKM

Κωδικός Προϊόντος	tooltiplmage
VKDOVNC020F	-
VKDOVNC025F	-
VKDOVNC032F	-
VKDOVNC040F	-
VKDOVNC050F	-
VKDOVNC063F	-