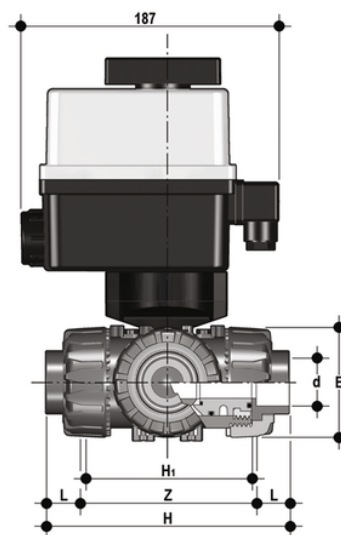


# LKDAC/CE 90-240 V AC - electrically actuated DUAL BLOCK® 3-way ball valve

3 way DUAL BLOCK® ball valve with female ends for solvent welding, ASTM series with multi-volt electric actuator 90-240 V AC 50-60 Hz. "L" ball.



## EPDM

Κωδικός Προϊόντος	tooltiplmage
LKDACEM038E1	-
LKDACEM012E1	-
LKDACEM034E1	-
LKDACEM100E1	-
LKDACEM114E1	-
LKDACEM112E1	-
LKDACEM200E1	-

## FKM

Κωδικός Προϊόντος	tooltiplmage
LKDACEM038F1	-
LKDACEM012F1	-
LKDACEM034F1	-
LKDACEM100F1	-
LKDACEM114F1	-
LKDACEM112F1	-



# LKDAC/CE 90-240 V AC - electrically actuated DUAL BLOCK® 3-way ball valve

Κωδικός Προϊόντος	tooltipImage
LKDACEM200F1	-