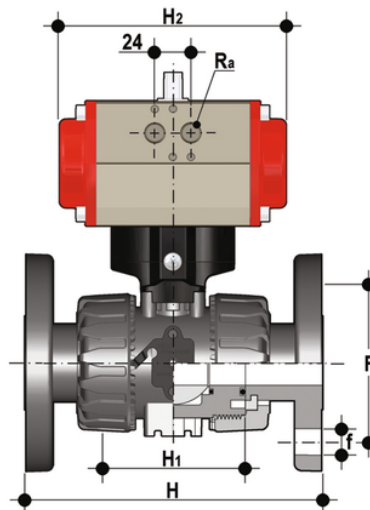


VKDOV/CP NO - PNEUMATICALLY ACTUATED DUAL BLOCK® 2-WAY BALL VALVE

Pneumatically actuated DUAL BLOCK® ball valve with DIN 2501 - EN 1092 fixed flanges face to face according to EN 558-1, Normally Open



EPDM

Κωδικός Προϊόντος	tooltiplmage
VKDOVNO020E	-
VKDOVNO025E	-
VKDOVNO032E	-
VKDOVNO040E	-
VKDOVNO050E	-
VKDOVNO063E	-

FKM

Κωδικός Προϊόντος	tooltiplmage
VKDOVNO020F	-
VKDOVNO025F	-
VKDOVNO032F	-
VKDOVNO040F	-
VKDOVNO050F	-
VKDOVNO063F	-