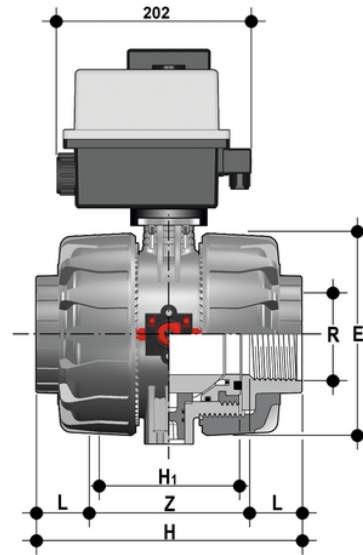


VKDNV/CE 90-240 V AC - electrically actuated DUAL BLOCK® 2-way ball valve

2 way DUAL BLOCK® ball valve with NPT thread female ends with multi-volt electric actuator 90-240 V AC 50-60 Hz.



EPDM

Κωδικός Προϊόντος

VKDNVEM212E

VKDNVEM300E

VKDNVEM400E

FKM

Κωδικός Προϊόντος

VKDNVEM212F

VKDNVEM300F

VKDNVEM400F