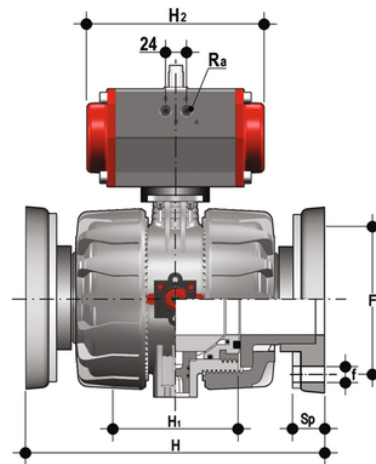
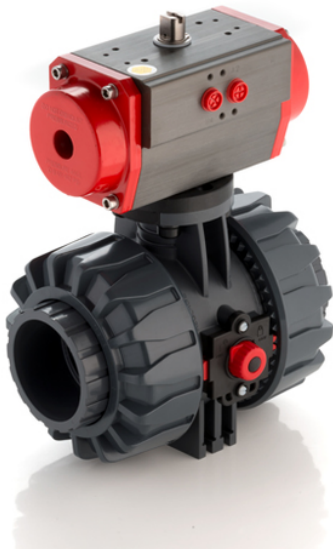


VKDOV/CP NC – pneumatically actuated DUAL BLOCK® 2-way ball valve

VKDOV: Pneumatically actuated DUAL BLOCK® ball valve with DIN 2501 – EN 1092 fixed flanges face to face according to EN558-1, Normally Closed.

VKDOAV: Pneumatically actuated DUAL BLOCK® ball valve with ANSI B.16.5 cl.150 #FF. fixed flanges, Normally Closed.



EPDM

Κωδικός Προϊόντος

VKDOVNC075E

VKDOVNC090E

VKDOVNC110E

FKM

Κωδικός Προϊόντος

VKDOVNC075F

VKDOVNC090F

VKDOVNC110F