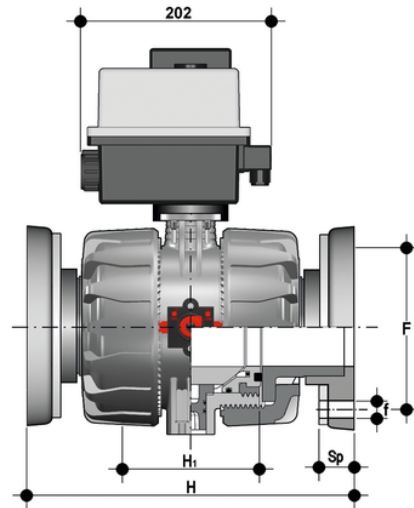


VKDOV/CE 90-240 V AC - electrically actuated DUAL BLOCK® 2-way ball valve

VKDOV: DUAL BLOCK® Ball Valve with fixed flanges EN/ISO/DIN PN 10/16, face to face dimensions as per EN 558-1 with multi-volt electric actuator 90-240 V AC 50-60 Hz.

VKDOAV: DUAL BLOCK® ball valve with fixed flanges, drilled ANSI B16.5 cl.150#FF with multi-volt electric actuator 90-240 V AC 50-60 Hz.



EPDM

Κωδικός Προϊόντος

VKDOVEM075E

VKDOVEM090E

VKDOVEM110E

FKM

Κωδικός Προϊόντος

VKDOVEM075F

VKDOVEM090F

VKDOVEM110F