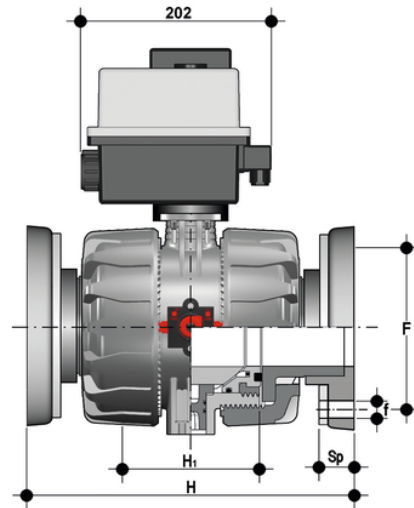


VKDOV/CE 24 V AC/DC – electrically actuated DUAL BLOCK® 2-way ball valve

VKDOV: DUAL BLOCK® Ball Valve with fixed flanges EN/ISO/DIN PN 10/16, face to face dimensions as per EN 558-1 with electric actuator 24 V AC/DC.

VKDOAV: DUAL BLOCK® ball valve with fixed flanges drilled ANSI B16.5 cl.150#FF with electric actuator 24 V AC/DC.



EPDM

Κωδικός Προϊόντος

VKDOVEL075E

VKDOVEL090E

VKDOVEL110E

FKM

Κωδικός Προϊόντος

VKDOVEL075F

VKDOVEL090F

VKDOVEL110F