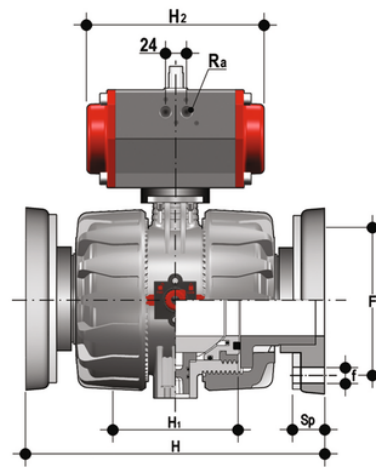
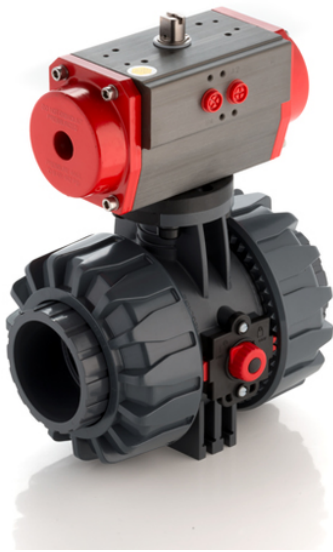


VKDOAV/CP NO - PNEUMATICALLY ACTUATED DUAL BLOCK® 2-WAY BALL VALVE

VKDOV: Pneumatically actuated DUAL BLOCK® ball valve with DIN 2501 - EN 1092 fixed flanges face to face according to EN558-1, Normally Open.

VKDOAV: Pneumatically actuated DUAL BLOCK® ball valve with ANSI B.16.5 cl.150 #FF. fixed flanges, Normally Open.



EPDM

Κωδικός προϊόντος

VKDOVNO075E

VKDOVNO090E

VKDOVNO110E

FKM

Κωδικός προϊόντος

VKDOVNO075F

VKDOVNO090F

VKDOVNO110F