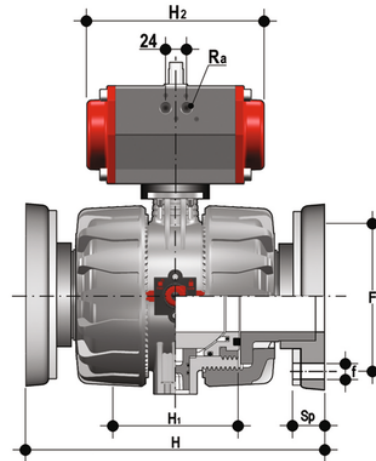
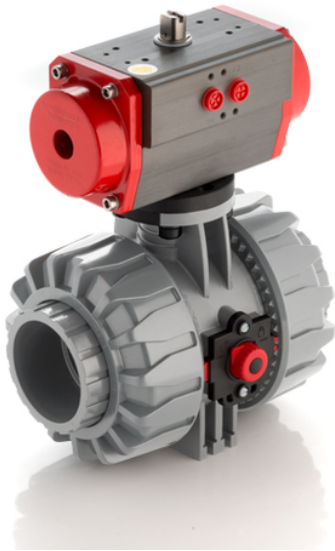


VKDOC/CP DA – pneumatically actuated DUAL BLOCK® 2-way ball valve

VKDOC: Pneumatically actuated DUAL BLOCK® ball valve with DIN 2501 – EN 1092 fixed flanges according to EN 558-1, Double Acting.

VKDOAC: Pneumatically actuated DUAL BLOCK® ball valve with ANSI B16.5 cl. 150 #FF fixed flanges, Double Acting.



EPDM

Κωδικός προϊόντος

VKDOCD A075E

VKDOCD A090E

VKDOCD A110E

FKM

Κωδικός προϊόντος

VKDOCD A075F

VKDOCD A090F

VKDOCD A110F