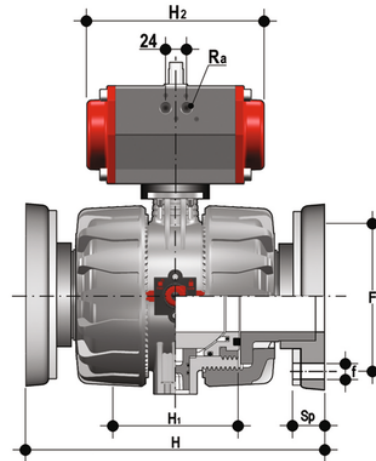
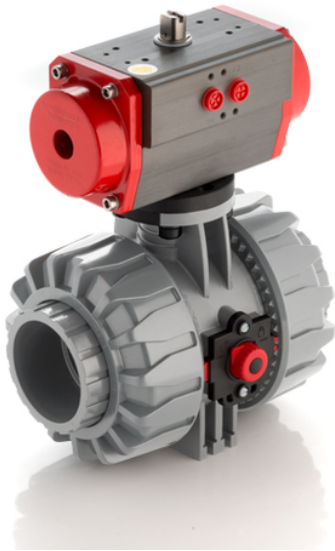


VKDOC/CP NC – pneumatically actuated DUAL BLOCK® 2-way ball valve

VKDOC: Pneumatically actuated DUAL BLOCK® ball valve with DIN 2501 – EN 1092 fixed flanges according to EN 558-1, Normally Closed.

VKDOAC: Pneumatically actuated DUAL BLOCK® ball valve with ANSI B16.5 cl. 150 #FF fixed flanges, Normally Closed.



EPDM

Κωδικός προϊόντος

VKDOCNC075E

VKDOCNC090E

VKDOCNC110E

FKM

Κωδικός προϊόντος

VKDOCNC075F

VKDOCNC090F

VKDOCNC110F