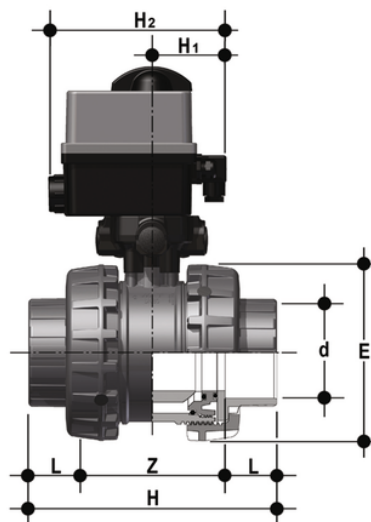


VXEIV/CE 24 V AC/DC - EASYFIT

2-WAY Βάνα Σφαιρική με Ηλεκτρικό Ενεργοποιητή

2 way Easyfit valve with female ends for solvent welding, metric series with electric actuator 24 V AC/DC



EPDM

Κωδικός προϊόντος	tooltiplmage	d	DN	*PN	E	H	L	Z	B	H1	H2	E1	g
VXEIVEL075E	-	75	65	6	157	211	44	123	276	82	187	92	3750
VXEIVEL090E	-	90	80	6	174	248	51	146	312	93	188	128	5532
VXEIVEL110E	-	110	100	6	212	283	61	161	332	93	188	128	7914

FKM

Κωδικός Προϊόντος	tooltiplmage	d	DN	*PN	E	H	L	Z	B	H1	H2	E1	g
VXEIVEL075F	-	75	65	6	157	211	44	123	276	82	187	92	3750
VXEIVEL090F	-	90	80	6	174	248	51	146	312	93	188	128	5532
VXEIVEL110F	-	110	100	6	212	283	61	161	332	93	188	128	7914

VXEIV/CE 24 V AC/DC – EASYFIT

2-WAY Βάνα Σφαιρική με Ηλεκτρικό Ενεργοποιητή

In addition to the manually actuated version, VXE is also available in VXE/CE electrically actuated and VXE/CP pneumatically actuated configurations. Actuators are firmly connected to the valve by the special FIP Power Quick modules fully made of PP-GR technopolymer. VXE/CE and VXE/CP are constructed with actuators meeting current regulations and selected by FIP according to their quality and reliability requirements. The efficiency of these valves, tested according to the company's quality standards, is guaranteed by the expertise and know-how that FIP dedicates to manufacturing its products.

- Electric actuator constructed according to FIP specifications; with plastic shell and standard emergency override. Available with voltages from 12 to 240V.
- Rack & pinion type pneumatic actuator constructed according to FIP specifications: fully protected against weather corrosion available in double-acting (DA) or simple-acting normally closed (NC) or normally open (NO) versions.
- Stem with high surface finish and double O-Ring and PTFE antifricition disk that limits friction to a minimum and grants excellent operating torque.
- Easy to install Easyfit PowerQuick module for pneumatic or electric actuator fully made of highly robust technopolymer.
- Connection system using solvent welded and threaded joints
- Patented Easyfit system: innovative mechanism based on the multifunctional handle quick release mechanism that permits union nut rotation during valve installation and ball seat carrier adjustment
- Valve material compatibility (U PVC-C) and elastomer seal elements (EPDM or FKM), with water, drinking water and other food substances as per current regulations
- Easy radial dismounting allowing quick replacement of O-rings and ball seats without any need for tools
- PN16 radial dismounting valve body (True Union) made for PVC-C injection moulding and European Directive 2014/68/EC compliant for PED pressurised equipment. ISO 9393 compliant test requirements. Maximum fluid pressure for valve operation 6 bar.
- Valve body with built in anchoring frame for the special Power Quick module dedicated to accessory or pneumatic and electric actuator installation
- Option of disassembling downstream pipes with the valve in the closed position
- Floating full bore ball with high surface finish made in CNC work stations to achieve precise dimensional tolerance and high surface finish.