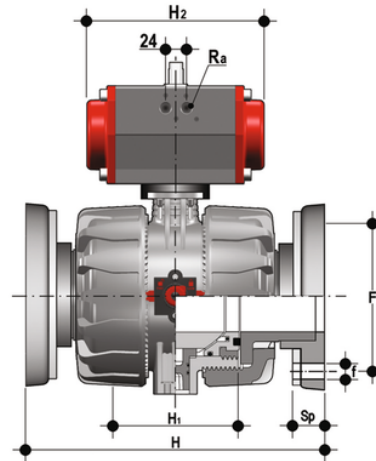
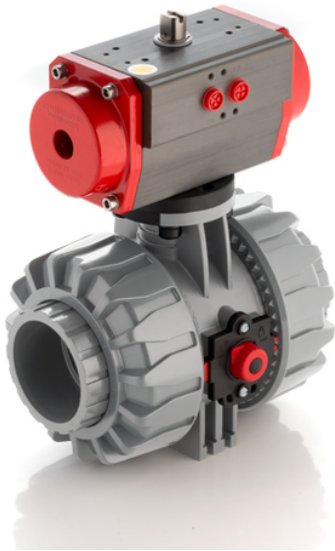


VKDOC/CP NO - pneumatically actuated DUAL BLOCK® 2-way ball valve

VKDOC: Pneumatically actuated DUAL BLOCK® ball valve with DIN 2501 - EN 1092 fixed flanges** according to EN 558-1, Normally Open.

VKDOAC: pneumatically actuated DUAL BLOCK® ball valve with ANSI B16.5 cl. 150 #FF fixed flanges**, Normally Open.



EPDM

Κωδικός προϊόντος	tooltipimage
VKDOCNO075E	-
VKDOCNO090E	-
VKDOCNO110E	-

FKM

Κωδικός προϊόντος	tooltipimage
VKDOCNO075F	-
VKDOCNO090F	-
VKDOCNO110F	-