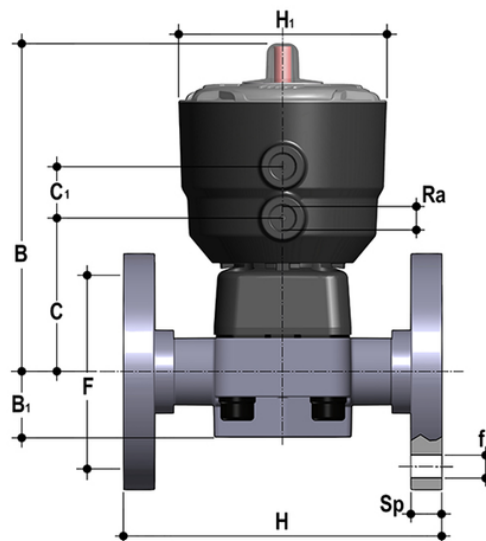


# DKOAM/CP NC - pneumatically actuated 2-way diaphragm valve PN 10 DN 15:65

Pneumatically actuated diaphragm valve with flanged monolithic body, drilled ANSI B16.5 cl. 150 #FF. Normally Closed function.



## EPDM

Κωδικός Προϊόντος	tooliplmage
DKOAMNC012E	-
DKOAMNC034E	-
DKOAMNC100E	-
DKOAMNC114E	-
DKOAMNC112E	-
DKOAMNC200E	-
DKOAMNC212E	-

## FKM

Κωδικός Προϊόντος	tooliplmage
DKOAMNC012F	-
DKOAMNC034F	-
DKOAMNC100F	-
DKOAMNC114F	-
DKOAMNC112F	-
DKOAMNC200F	-
DKOAMNC212F	-

# DKOAM/CP NC – pneumatically actuated 2-way diaphragm valve PN 10 DN 15:65

## PTFE

Κωδικός προϊόντος	tooltiplmage
DKOAMNC012P	-
DKOAMNC034P	-
DKOAMNC100P	-
DKOAMNC114P	-
DKOAMNC112P	-
DKOAMNC200P	-
DKOAMNC212P	-