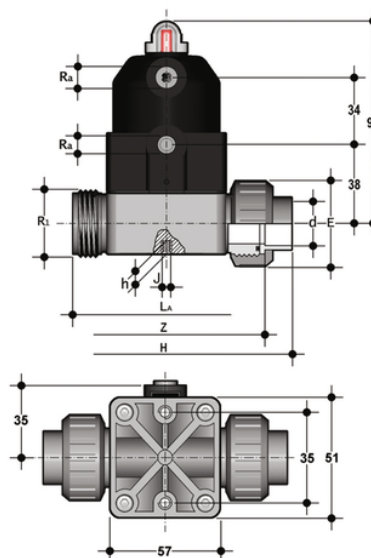


# CMUIV/CP DA - COMPACT Βάνα Διαφράγματος με Πνευματικό Ενεργοποιητή

Pneumatically actuated compact diaphragm valve with unionised metric plain socket ends for slovent welding, Double Acting



## EPDM

Κωδικός προϊόντος	tooltiplmage	d	DN	PN	E	R <sub>1</sub>	R <sub>a</sub>	LA	Z	H	h	J	g
CMUIVDA020E	-	20	15	6	41	1"	G 1/4"	90	97.5	129.5	8	M5	340

## FKM

Κωδικός προϊόντος	tooltiplmage	d	DN	PN	E	R <sub>1</sub>	R <sub>a</sub>	LA	Z	H	h	J	g
CMUIVDA020F	-	20	15	6	41	1"	G 1/4"	90	97.5	129.5	8	M5	340

## PTFE

Κωδικός προϊόντος	tooltiplmage	d	DN	PN	E	R <sub>1</sub>	R <sub>a</sub>	LA	Z	H	h	J	g
CMUIVDA020P	-	20	15	6	41	1"	G 1/4"	90	97.5	129.5	8	M5	340

# CMUIV/CP DA - COMPACT Βάνα Διαφράγματος με Πνευματικό Ενεργοποιητή

The new compact and light piston actuator in PP-GR makes the CM/CP the ideal choice for applications requiring very frequent valve operation and a long valve lifetime.

- Compact and lightweight piston actuator in PP-GR, free of exposed metallic parts, particularly suited for use in severe environmental and chemically aggressive conditions.
- High strength IXEF piston guarantees high reliability over time without maintenance.
- High visibility graduated optical position indicator protected by a transparent cap with a seal O-Ring.
- The valve is impervious to fluids containing impurities
- It has an high flow rate
- It can be installed in any position
- It has an extremely compact structure
- It is actuated by a dry running piston and does not require maintenance
- It has no protruding screws and is fully free of impurity deposits
- Allows for an easy diaphragm seal replacement
- The Standard version valve comes with a position indicator.