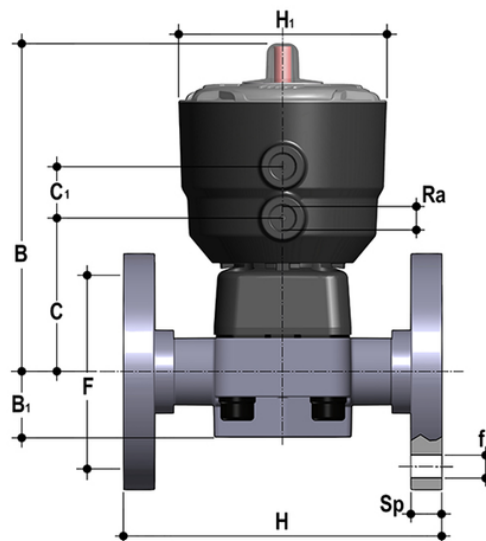


# DKOAV/CP DA - pneumatically actuated 2-way diaphragm valve PN 10 DN 15:65

Pneumatically actuated diaphragm valve with flanged monolithic body, drilled ANSI B16.5 cl. 150 #FF. Double-Acting function.



## EPDM

Κωδικός Προϊόντος
DKOAVDA012E
DKOAVDA034E
DKOAVDA100E
DKOAVDA114E
DKOAVDA112E
DKOAVDA200E
DKOAVDA212E

## FKM

Κωδικός Προϊόντος
DKOAVDA012F
DKOAVDA034F
DKOAVDA100F
DKOAVDA114F
DKOAVDA112F
DKOAVDA200F
DKOAVDA212F



# DKOAV/CP DA – pneumatically actuated 2-way diaphragm valve PN 10 DN 15:65

## PTFE

Κωδικός προϊόντος
DKOAVDA012P
DKOAVDA034P
DKOAVDA100P
DKOAVDA114P
DKOAVDA112P
DKOAVDA200P
DKOAVDA212P