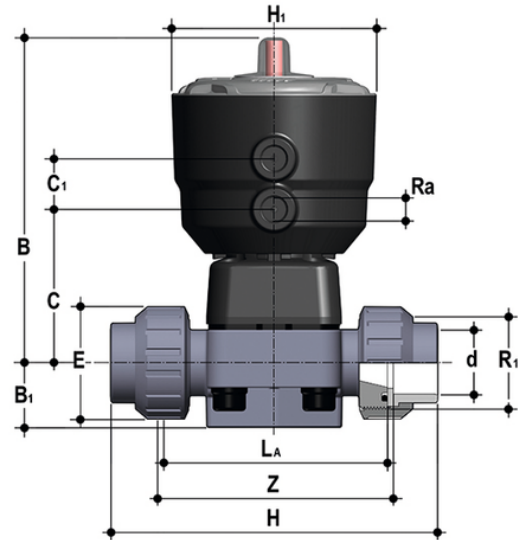


DKUAV/CP NO – pneumatically actuated 2-way diaphragm valve PN 10 DN 15:65

Pneumatically actuated diaphragm valve with female union ends for solvent welding, ASTM series. Normally Open function.



EPDM

Κωδικός Προϊόντος	tooltiplmage
DKUAVNO012E	-
DKUAVNO034E	-
DKUAVNO100E	-
DKUAVNO114E	-
DKUAVNO112E	-
DKUAVNO200E	-

FKM

Κωδικός Προϊόντος	tooltiplmage
DKUAVNO012F	-
DKUAVNO034F	-
DKUAVNO100F	-
DKUAVNO114F	-
DKUAVNO112F	-
DKUAVNO200F	-

PTFE

DKUAV/CP NO – pneumatically actuated 2-way diaphragm valve PN 10 DN 15:65

Κωδικός Προϊόντος	tooltipImage
DKUAVNO012P	-
DKUAVNO034P	-
DKUAVNO100P	-
DKUAVNO114P	-
DKUAVNO112P	-
DKUAVNO200P	-