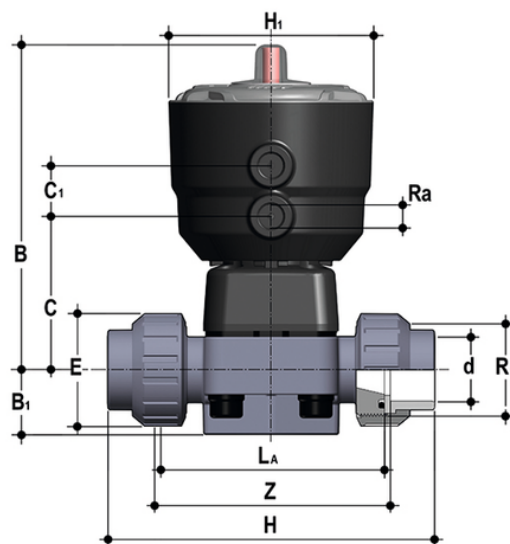


# DKUAV/CP DA – pneumatically actuated 2-way diaphragm valve PN 10 DN 15:65

Pneumatically actuated diaphragm valve with female union ends for solvent welding, ASTM series. Double-Acting function.



## EPDM

Κωδικός Προϊόντος	tooltiplmage
DKUAVDA012E	-
DKUAVDA034E	-
DKUAVDA100E	-
DKUAVDA114E	-
DKUAVDA112E	-
DKUAVDA200E	-

## FKM

Κωδικός Προϊόντος	tooltiplmage
DKUAVDA012F	-
DKUAVDA034F	-
DKUAVDA100F	-
DKUAVDA114F	-
DKUAVDA112F	-
DKUAVDA200F	-

## PTFE

# DKUAV/CP DA – pneumatically actuated 2-way diaphragm valve PN 10 DN 15:65

Κωδικός Προϊόντος	tooltipImage
DKUAVDA012P	-
DKUAVDA034P	-
DKUAVDA100P	-
DKUAVDA114P	-
DKUAVDA112P	-
DKUAVDA200P	-