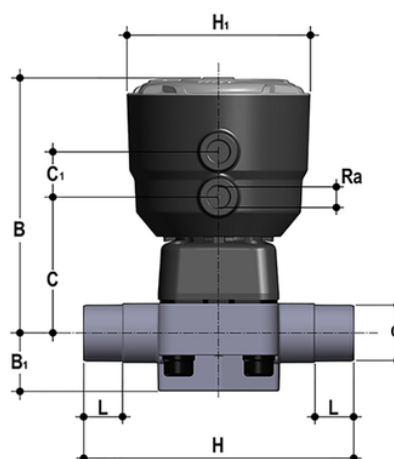


DKBDM/CP NC – pneumatically actuated 2-way diaphragm valve PN6 for basic applications DN 15:65

Pneumatically actuated diaphragm valve with male ends for socket welding, metric series Normally Closed function.



Κωδικός προϊόντος

DKBDMNC020E

DKBDMNC025E

DKBDMNC032E

DKBDMNC040E

DKBDMNC050E

DKBDMNC063E

DKBDMNC075E