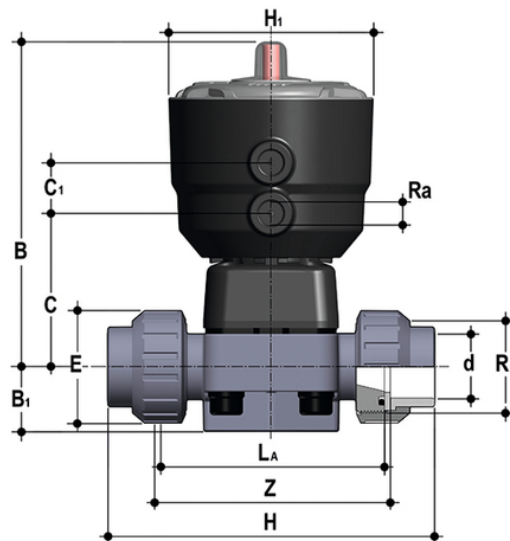


DKUAC/CP NC - pneumatically actuated 2-way diaphragm valve PN 10 DN 15:65

Pneumatically actuated diaphragm valve with female union ends for solvent welding, ASTM series Normally Closed function.



EPDM

Κωδικός Προϊόντος

DKUACNC012E

DKUACNC034E

DKUACNC100E

DKUACNC114E

DKUACNC112E

DKUACNC200E

FKM

Κωδικός Προϊόντος

DKUACNC012F

DKUACNC034F

DKUACNC100F

DKUACNC114F

DKUACNC112F

DKUACNC200F

PTFE



DKUAC/CP NC – pneumatically actuated 2-way diaphragm valve PN 10 DN 15:65

Κωδικός Προϊόντος

DKUACNC012P

DKUACNC034P

DKUACNC100P

DKUACNC114P

DKUACNC112P

DKUACNC200P