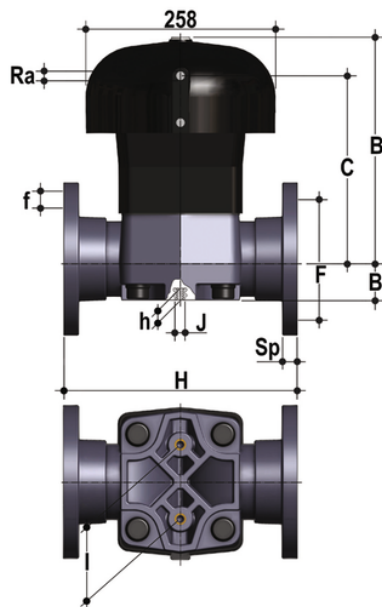


VMOAF/CP NO - pneumatically actuated diaphragm valve DN 80:100

Pneumatically actuated diaphragm valve with ANSI B16.5 cl. 150 #FF flanged monolithic body, Normally Open.



EPDM

| Κωδικός Προϊόντος | tooltiplmage |
|-------------------|--------------|
| VMOAFNO300E | - |
| VMOAFNO400E | - |

FKM

| Κωδικός Προϊόντος | tooltiplmage |
|-------------------|--------------|
| VMOAFNO300F | - |
| VMOAFNO400F | - |

PTFE

| Κωδικός Προϊόντος | tooltiplmage |
|-------------------|--------------|
| VMOAFNO300P | - |
| VMOAFNO400P | - |