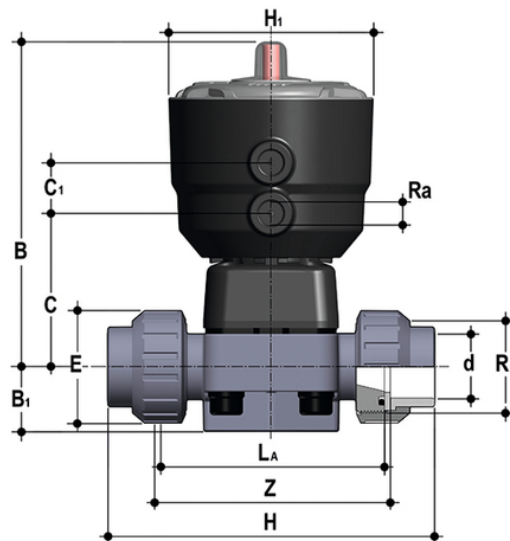


DKUAC/CP NO – pneumatically actuated 2-way diaphragm valve PN 10 DN 15:65

Pneumatically actuated diaphragm valve with female union ends for solvent welding, ASTM series Normally Open function.



EPDM

Κωδικός Προϊόντος	tooltplmage
DKUACNO012E	-
DKUACNO034E	-
DKUACNO100E	-
DKUACNO114E	-
DKUACNO112E	-
DKUACNO200E	-

FKM

Κωδικός Προϊόντος	tooltplmage
DKUACNO012F	-
DKUACNO034F	-
DKUACNO100F	-
DKUACNO114F	-
DKUACNO112F	-
DKUACNO200F	-

PTFE

DKUAC/CP NO – pneumatically actuated 2-way diaphragm valve PN 10 DN 15:65

Κωδικός Προϊόντος	tooltipImage
DKUACNO012P	-
DKUACNO034P	-
DKUACNO100P	-
DKUACNO114P	-
DKUACNO112P	-
DKUACNO200P	-