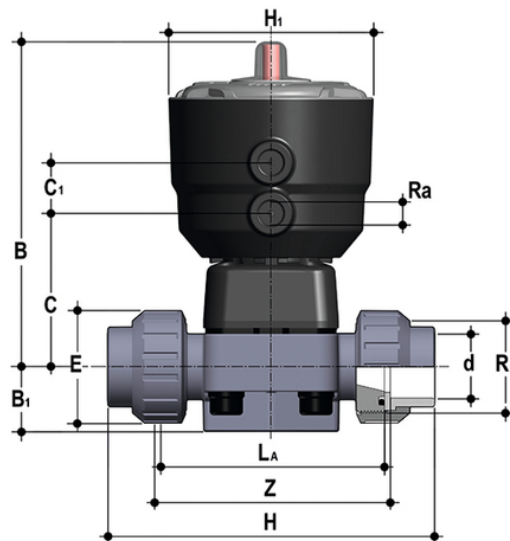


DKUAC/CP DA – pneumatically actuated 2-way diaphragm valve PN 10 DN 15:65

Pneumatically actuated diaphragm valve with female union ends for solvent welding, ASTM series. Double-Acting function.



EPDM

Κωδικός Προϊόντος	tooltiplmage
DKUACDA012E	-
DKUACDA034E	-
DKUACDA100E	-
DKUACDA114E	-
DKUACDA112E	-
DKUACDA200E	-

FKM

Κωδικός Προϊόντος	tooltiplmage
DKUACDA012F	-
DKUACDA034F	-
DKUACDA100F	-
DKUACDA114F	-
DKUACDA112F	-
DKUACDA200F	-

PTFE

DKUAC/CP DA – pneumatically actuated 2-way diaphragm valve PN 10 DN 15:65

Κωδικός Προϊόντος	tooltipImage
DKUACDA012P	-
DKUACDA034P	-
DKUACDA100P	-
DKUACDA114P	-
DKUACDA112P	-
DKUACDA200P	-