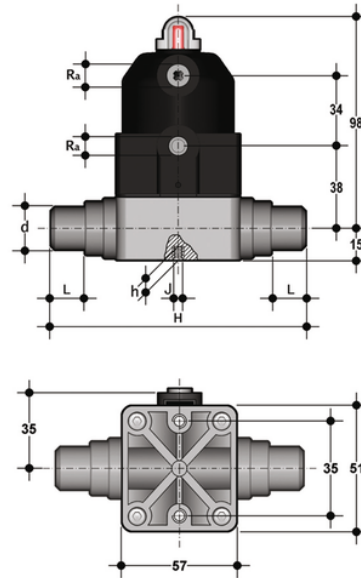


# CMDC/CP NC – pneumatically actuated compact diaphragm valve DN 12:15

Pneumatically actuated diaphragm valve with metric plain spigot ends for solvent welding, Normally Closed.



## EPDM

| Κωδικός Προϊόντος | tooltiplmage |
|-------------------|--------------|
| CMDNC020E         | -            |

## FKM

| Κωδικός Προϊόντος | tooltiplmage |
|-------------------|--------------|
| CMDNC020F         | -            |

## PTFE

| Κωδικός Προϊόντος | tooltiplmage |
|-------------------|--------------|
| CMDNC020P         | -            |