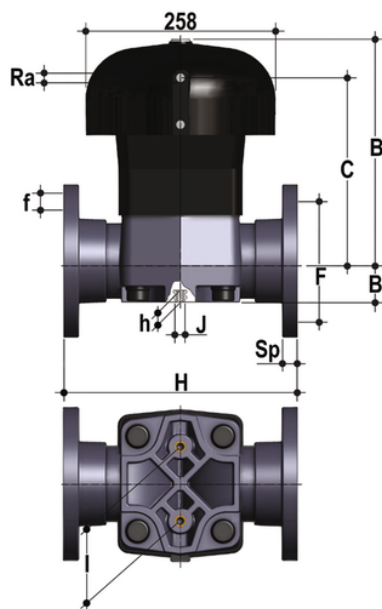


VMOAM/CP NO – pneumatically actuated diaphragm valve DN 80:100

Pneumatically actuated diaphragm valve with ANSI B16.5 cl. 150 #FF flanged monolithic body, Normally Open.



EPDM

Κωδικός Προϊόντος	tooliplmage
VMOAMNO300E	-
VMOAMNO400E	-

FKM

Κωδικός Προϊόντος	tooliplmage
VMOAMNO300F	-
VMOAMNO400F	-

PTFE

Κωδικός Προϊόντος	tooliplmage
VMOAMNO300P	-
VMOAMNO400P	-