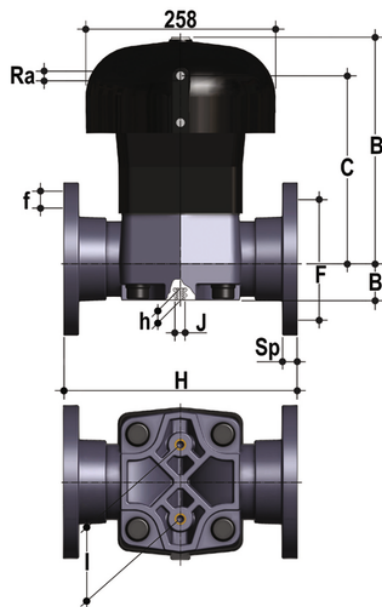


# VMOAM/CP DA – pneumatically actuated diaphragm valve DN 80:100

Pneumatically actuated diaphragm valve with ANSI B16.5 cl. 150 #FF flanged monolithic body, Double Acting.



### EPDM

Κωδικός Προϊόντος	tooltiplmage
VMOAMDA300E	-
VMOAMDA400E	-

### FKM

Κωδικός Προϊόντος	tooltiplmage
VMOAMDA300F	-
VMOAMDA400F	-

### PTFE

Κωδικός Προϊόντος	tooltiplmage
VMOAMDA300P	-
VMOAMDA400P	-