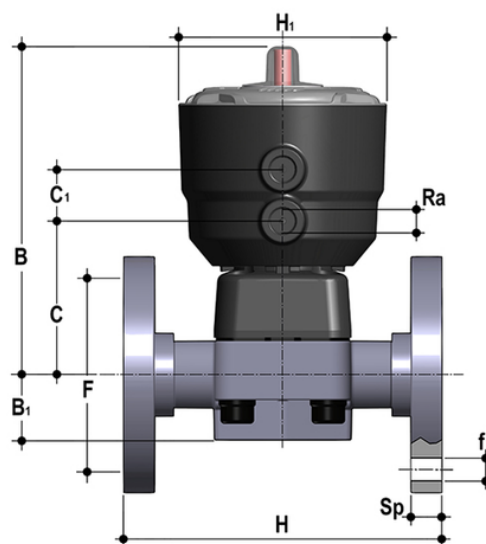


DKOV/CP DA – pneumatically actuated 2-way diaphragm valve PN 10 DN 15:65

Pneumatically actuated diaphragm valve with flanged monolithic body, drilled PN10/16. Face to face according to EN 558-1. Double-Acting function.



EPDM

Κωδικός Προϊόντος	tooltiplmage
DKOVDA020E	-
DKOVDA025E	-
DKOVDA032E	-
DKOVDA040E	-
DKOVDA050E	-
DKOVDA063E	-
DKOVDA075E	-

FKM

Κωδικός Προϊόντος	tooltiplmage
DKOVDA020F	-
DKOVDA025F	-
DKOVDA032F	-
DKOVDA040F	-
DKOVDA050F	-
DKOVDA063F	-

DKOV/CP DA – pneumatically actuated 2-way diaphragm valve PN 10 DN 15:65

Κωδικός Προϊόντος	tooltiplmage
DKOVDA075F	-

PTFE

Κωδικός Προϊόντος	tooltiplmage
DKOVDA020P	-
DKOVDA025P	-
DKOVDA032P	-
DKOVDA040P	-
DKOVDA050P	-
DKOVDA063P	-
DKOVDA075P	-