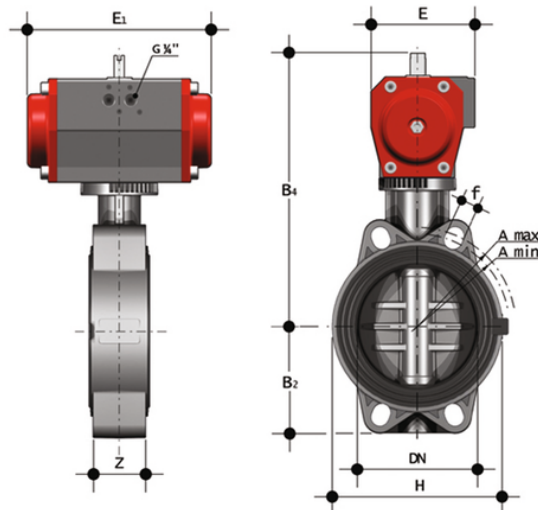


FEOV/CP DA DN 80-150 - Βάνα Πεταλούδα με Πνευματικό Ενεργοποιητή

Butterfly valve with pneumatic actuator, Double-Acting function



EPDM

Κωδικός προϊόντος	tooltiimage	d	DN	PN	B ₂	H	Z	A _{min}	A _{max}	f	U	B ₄	E	E ₁	g
FEOVDA090E	-	90-3"	80	10	90	130	49	145	159	19	4	253	94	210	4100
FEOVDA110E	-	110-4"	100	10	105	150	56	165	190	19	4	277	104	228	5750
FEOVDA140E	-	*125/140-5"	125	10	121	185	64	204	215	23	4	297	104	228	6700
FEOVDA160E	-	160-6"	150	10	132	210	70	230	242	23	4	325	120	280	9000

FKM

Κωδικός προϊόντος	tooltiimage
FEOVDA090F	-
FEOVDA110F	-
FEOVDA140F	-
FEOVDA160F	-

FEON/CP DA DN 80-150 - Βάνα

Πεταλούδα με Πνευματικό

Ενεργοποιητή

In addition to the manually actuated version, FE is also available in FE/ CE electrically actuated and FE/CP pneumatically actuated configurations. FE/CD and FE/CP are constructed with actuators meeting current regulations and selected by FIP according to their quality and reliability requirements. The efficiency of these valves, tested according to the company's quality standards, is guaranteed by the expertise and know-how that FIP dedicates to manufacturing its products.

- Electric actuator constructed according to FIP specifications; with plastic shell and standard emergency override. Available with voltages from 12 to 240V.
- Rack & pinion type pneumatic actuator constructed according to FIP specifications: fully protected against weather corrosion available in double-acting (DA) or simple-acting normally closed (NC) or normally open (NO) versions.
- Drilling pattern with oval slots that allow coupling to flanges according to numerous international standards.
- Interchangeable liner with the dual function of forming a hydraulic seal and isolating the body from the fluid.

- Disk in PVC-U with through shaft
- Zinc plated square section steel stem completely isolated from the fluid complying with standard ISO 5211:
- DN 40F-65: 11 mm
- DN 80F-100: 14 mm
- DN 125F-150: 17 mm
- DN 200: 22mm
- Can also be installed as an end line valve, bottom discharge valve or tank dump valve
- Valve material compatibility (PVC-U) with water conveyance, drinking water and other food substances according to current regulations
- Possibility of directly installing pneumatic and/or electric actuators with a standard drilling pattern according to standard ISO 5211 F05, F07, F10