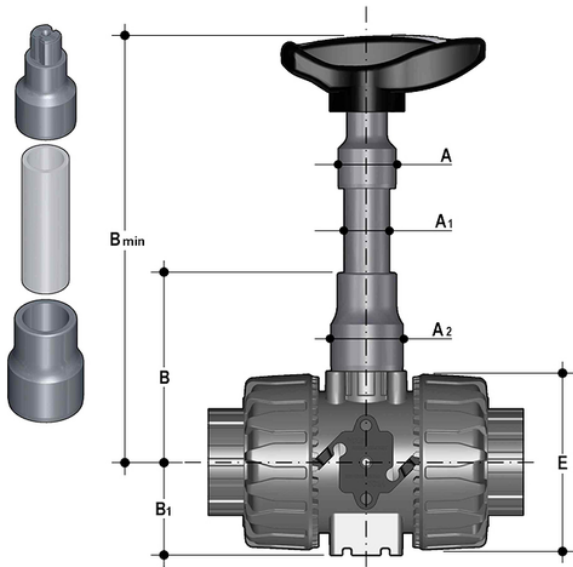


PSKD

Stem extension



Κωδικός Προϊόντος	tooltiplmage	d	DN	A	A[5:1]	A[5:2]	E	B	B[5:1]	B [5:min]	Ø Pipe	to be used with:
PSKD020	-	20	15	32	25	32	54	70	29	139,5	25	VKD-TKD
PSKD025	-	25	20	32	25	40	65	89	34,5	164,5	25	VKD-TKD
PSKD032	-	32	25	32	25	40	73	93,5	39	169	25	VKD-TKD
PSKD040	-	40	32	40	32	50	86	110	46	200	32	VKD-TKD
PSKD050	-	50	40	40	32	50	98	116	52	206	32	VKD-TKD
PSKD063	-	63	50	40	32	59	122	122	62	225	32	VKD-TKD

PSKD

- Upper part (PVC-U)
 - Bottom part (PVC-U)
 - Bolts (zinc plated steel)
 - Nuts (zinc plated steel)
 - Gasket (NBR)
 - Reinforcing ring (Stainless steel)
- The reinforcing bush are used to reinforce the pipe PE100 (SDR11) e PE-X, to along the lifetime of the pipeline and to reduce the collapse risk of the pipe in disadvantages conditions. They use is particularly suggested using PE-X pipes. The two tightening keys (d.16-63 and d.75-110) are important tools to install the **MAGNUM 3G** fittings