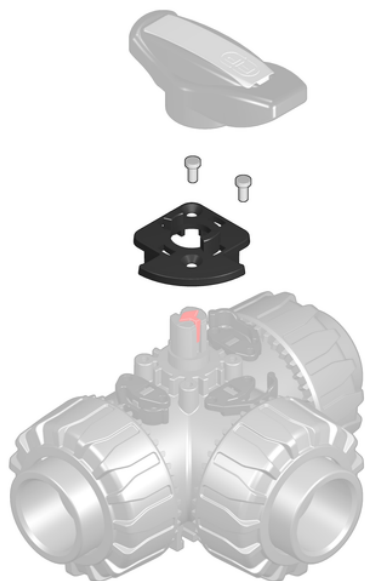


LTKD

The LTKD stroke limiter specifically permits handle and ball rotation only at set opening and closing angles. The LTKD090 version permits operations for 90B° angles while the LTKD180 version for 180B° angles. The LTKD stroke limiter is made up of a single removable plate made of technopolymer. Designed for ISO 5211 bore and specifically designed to be directly housed on the valve body mounting flange. It is secured to the valve body by self-tapping screws or plastic rivets.



Κωδικός προϊόντος	tooltiplmage	d	DN	to be used with:
LTKD090020	-	16 - 20	10 - 15	TKD
LTKD090032	-	25 - 32	20 - 25	TKD
LTKD090050	-	40 - 50	32 - 40	TKD
LTKD090063	-	63	50	TKD

LTKD

- Upper part (PVC-U)
 - Bottom part (PVC-U)
 - Bolts (zinc plated steel)
 - Nuts (zinc plated steel)
 - Gasket (NBR)
 - Reinforcing ring (Stainless steel)
- The reinforcing bush are used to reinforce the pipe PE100 (SDR11) e PE-X, to elong the lifetime of the pipeline and to reduce the collapse risk of the pipe in disadvantages conditions. They use is particularly suggested using PE-X pipes. The two tightening keys (d.16-63 and d.75-110) are important tools to install the **MAGNUM 3G** fittings