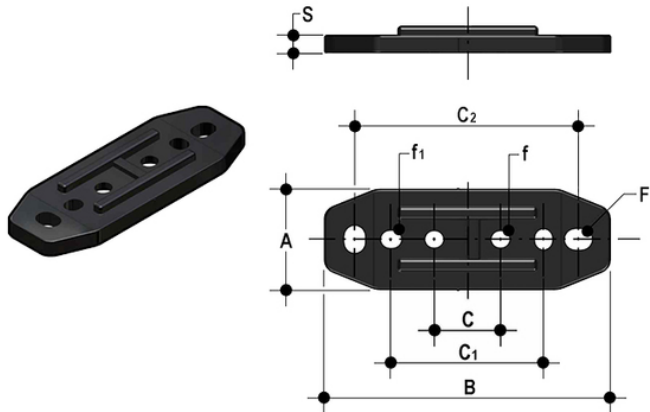


PMKD

Wall mounting plate



Κωδικός προϊόντος	tooltimage	d	DN	A	B	C	C[5:1]	C[5:2]	F	f	f[5:1]	S	to be used with:
PMKD1	-	32	25	30	86	20	46	67,5	6,5	5,3	5,5	5	VKD-VKR
PMKD2	-	63	50	40	122	30	72	102	6,5	6,3	6,5	6	VKD-VKR

PMKD

- Upper part (PVC-U)
 - Bottom part (PVC-U)
 - Bolts (zinc plated steel)
 - Nuts (zinc plated steel)
 - Gasket (NBR)
 - Reinforcing ring (Stainless steel)
- The reinforcing bush are used to reinforce the pipe PE100 (SDR11) e PE-X, to along the lifetime of the pipeline and to reduce the collapse risk of the pipe in disadvantages conditions. They use is particularly suggested using PE-X pipes. The two tightening keys (d.16-63 and d.75-110) are important tools to install the **MAGNUM 3G** fittings