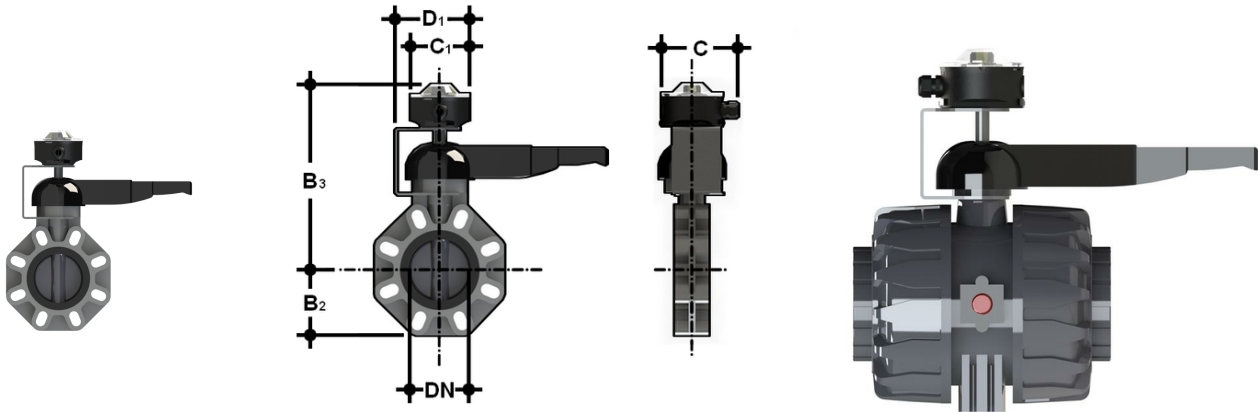


LS Quick Kit

The Limit Switch Quick Kit allows the fast and secure installation of the FIP LSQT to the VKD valves. The body is in PP-GR and the handle in stainless steel AISI 316. The handle block at 0B° and 90B° is also available by default (hole diameter 6.5 mm). The kit can be assembled on the valve even if already installed on the system. For technical data of the LSQT box see FIP actuated valves catalogue.



Κωδικός προϊόντος	tooltiplmage	DN	B[5:2]	B[5:3]	C	C[5:1]	D[5:1]	To be used with:
LSQKITFK5063	-	-	-	-	-	-	-	-
LSQKITFK5063	-	50	70	266,5	126,9	103	123,5	FK
LSQKIT75160	-	-	-	-	-	-	-	-
LSQKIT75160	-	150	134	334,5	126,9	103	123,5	FK
LSQKIT75160	-	-	-	-	-	-	-	-
LSQKIT75160	-	-	-	-	-	-	-	-
LSQKIT75160	-	-	-	-	-	-	-	-
LSQKIT225	-	-	-	-	-	-	-	-

LS Quick Kit

- Upper part (PVC-U)
 - Bottom part (PVC-U)
 - Bolts (zinc plated steel)
 - Nuts (zinc plated steel)
 - Gasket (NBR)
 - Reinforcing ring (Stainless steel)
- The reinforcing bush are used to reinforce the pipe PE100 (SDR11) e PE-X, to elong the lifetime of the pipeline and to reduce the collapse risk of the pipe in disadvantages conditions. They use is particularly suggested using PE-X pipes. The two tightening keys (d.16-63 and d.75-110) are important tools to install the **MAGNUM 3G** fittings