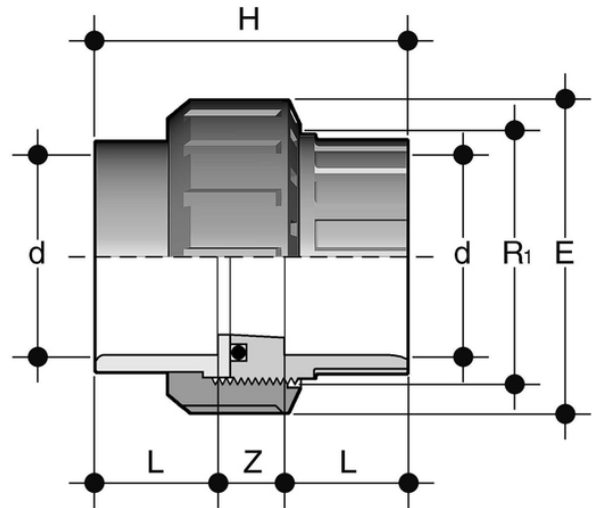


# BLV

Union with solvent weld sockets, O-Ring in EPDM



Κωδικός προϊόντος	tooltipimage	d	PN	R[5:1]	E	H	L	Z	g	Class
BLV012E	-	1/2"	15	1"	40.5	45	16	13	39	E
BLV034E	-	3/4"	15	1"1/4	50	51	19	13	65	E
BLV100E	-	1"	15	1"1/2	57.5	57	22	13	94	E
BLV114E	-	1"1/4	15	2"	71.5	67	26	15	150	E
BLV112E	-	1"1/2	15	2"1/4	79	79	31	17	190	E
BLV200E	-	2"	15	2"3/4	98	98	38	21	400	E