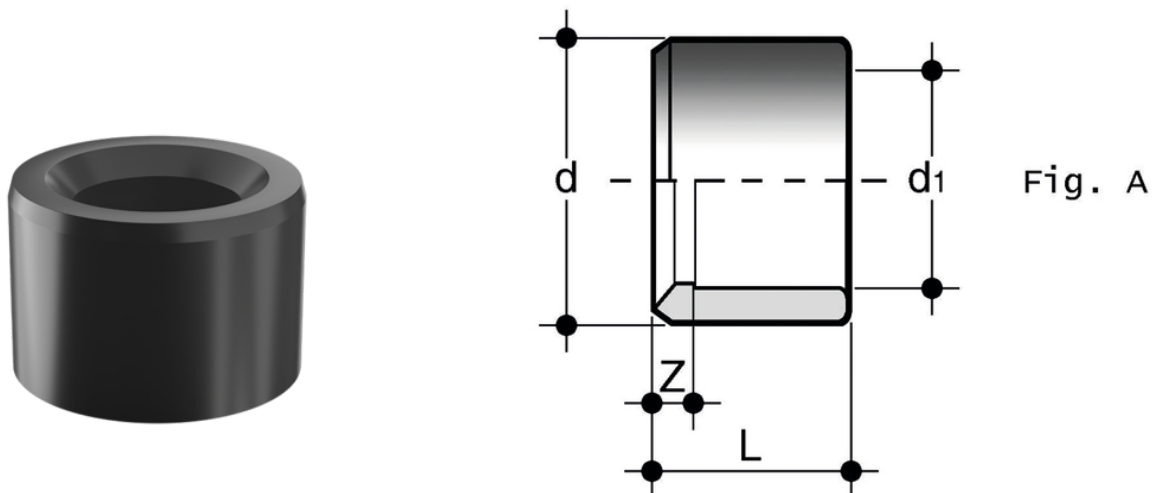


DLV

Reducing bush with solvent weld spigot (d) and solvent weld socket (d1 reduced) (fig. A)



Κωδικός προϊόντος	tooltiplmage	d x d[5:1]	PN	L	Z	g
DLV012038	-	1/2" x 3/8"	15	16,5	2	3
DLV300212	-	3" x 2 1/2"	15	50,5	7	125
DLV212200	-	2" x 1 1/2"	15	43,5	7,5	100
DLV112114	-	1" x 1/2" x 1" x 1/4"	15	31	4	20
DLV112100	-	1" x 1/2" x 1"	15	30	7,5	42
DLV114100	-	1" x 1/4" x 1"	15	27	4	19
DLV100034	-	1" x 3/4"	15	22,5	3	10
DLV100012	-	1" x 1/2"	15	22,5	6,5	18
DLV034012	-	3/4" x 1/2"	15	19,5	3	5,5
DLV400300	-	4" x 3"	15	63	12	331