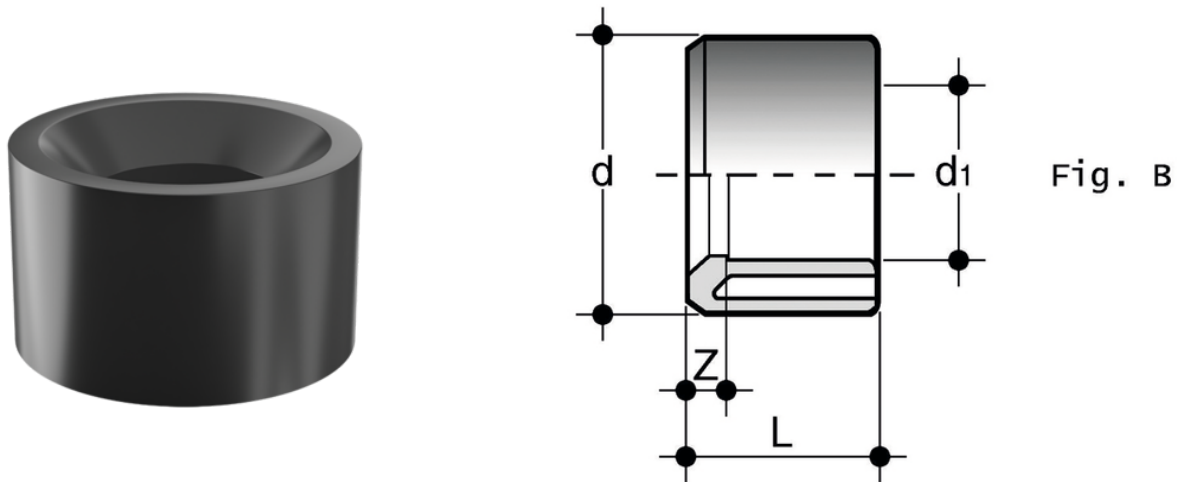


# DLV

Reducing bush with solvent weld spigot (d) and solvent weld socket (d1 reduced) (fig. B)



Κωδικός προϊόντος	tooltiplmage	d x d[5:1]	PN	L	Z	g
DLV112034	-	1" x 3/4"	15	30	10	40
DLV200100	-	2" x 1"	15	36	7	50
DLV200112	-	2" x 1 1/2"	15	38	7	50
DLV300112	-	3" x 1 1/2"	15	50,5	20,5	200
DLV300200	-	3" x 2"	15	51	13	167
DLV400200	-	4" x 2"	15	63	27	370
DLV600400	-	6" x 4"	12	90	27	972
DLV800600	-	8" x 6"	12	115,5	26,5	1400